

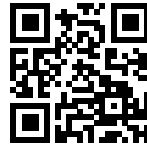


FLEX

Mixer Taps

Code: R521 F00

MITIGEUR FLEX



DETAILS

Mixer type Single lever faucet with rotating barrel and flexible head.

Coloring Black

Material Brass

Texture Chromed

Rotating angle 360°

Strengthening plate 48 x 48 mm

Cartridge With ceramic discs

Mixer hole ø35 mm

Max worktop thickness 40 mm

FEATURES

Double jet (flow and rain)

Several models are equipped with a switch to easily change the flow from continuous to shower.

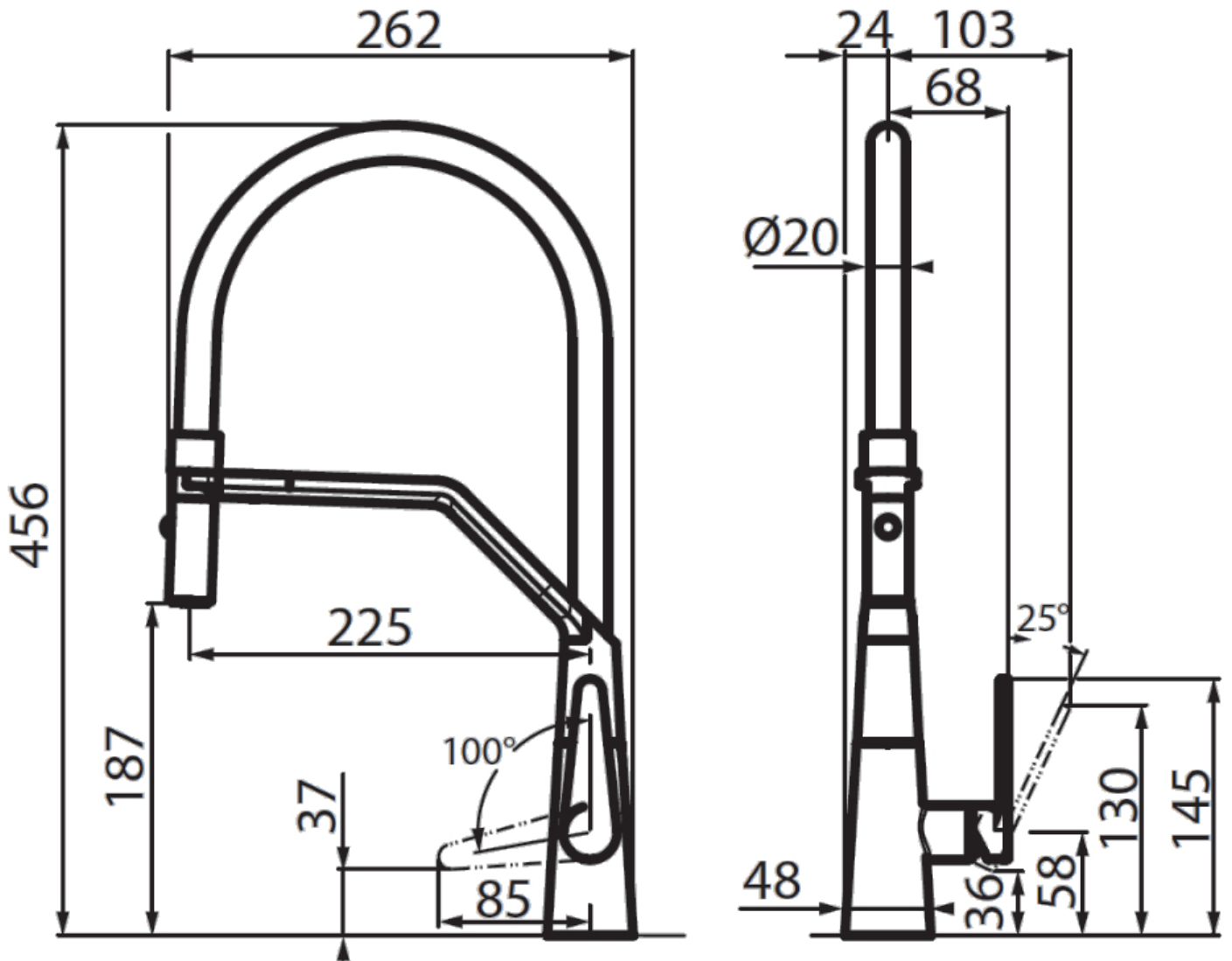
Rotating angle

All the taps have a wide angle of rotation. Some models even permit a full 360° rotation.

Strengthening plate

Foster's mixer taps are equipped with the strengthening plate that offers perfect stability on any sink.

TECHNICAL DATA



GALLERY

